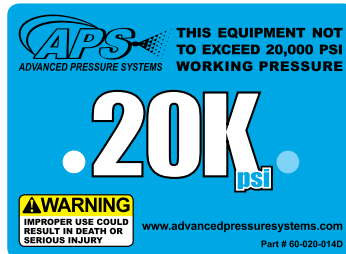


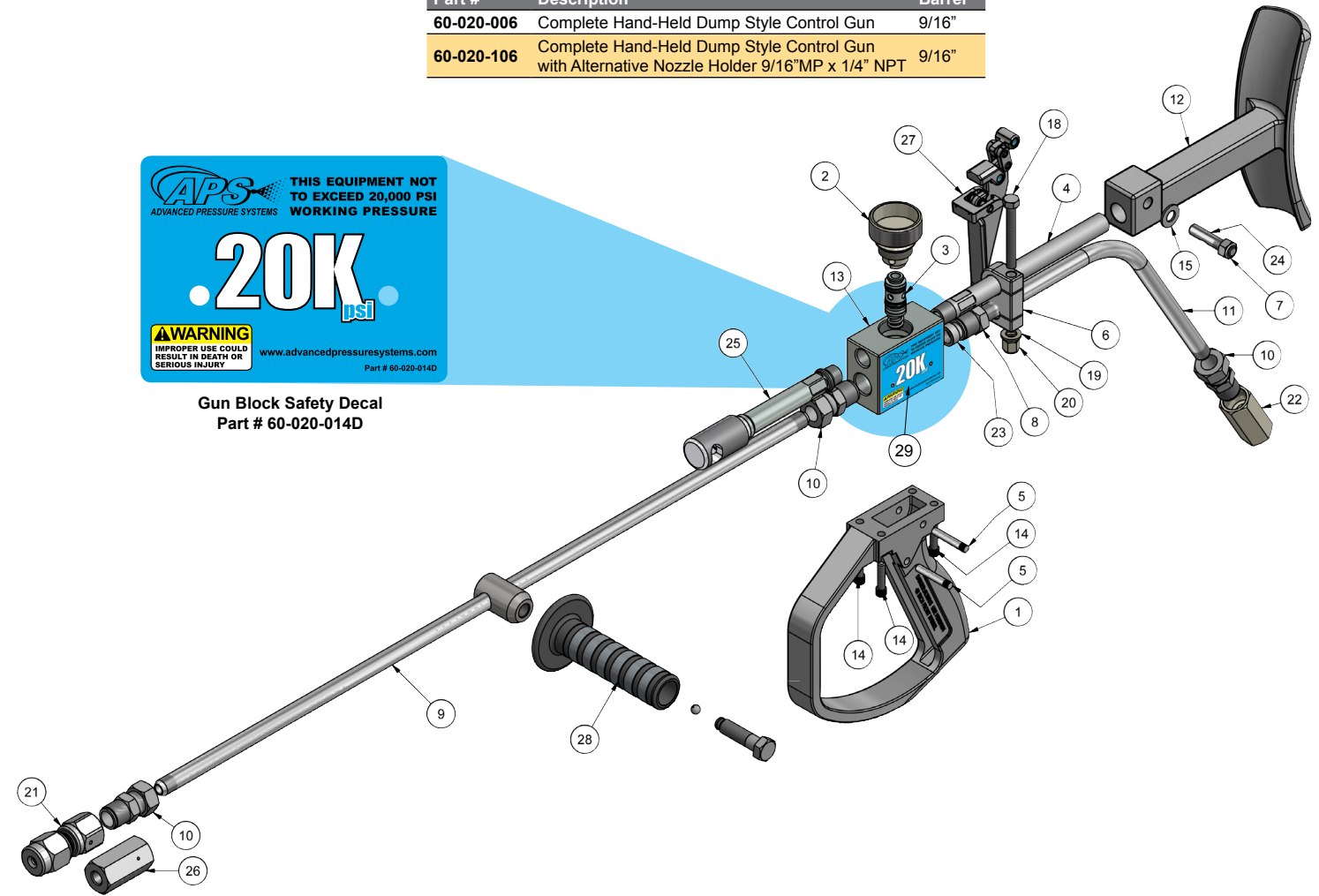
20K Hand-Held Dump Style Control Guns

- These guns are the new standard and are built tough for the demands of today's contracting environment.
- These control guns incorporate many **superior features**.
- They are lightweight and are easy to overhaul in the field using a cartridge which is interchangeable with Jetstream guns of the same pressure rating.
- The shoulder stock and handgrip are both adjustable and the trigger has a safety lock to prevent accidental discharge.
- Front barrels are 48" long with standard 9/16" MP size.

Part #	Description	Barrel
60-020-006	Complete Hand-Held Dump Style Control Gun	9/16"
60-020-106	Complete Hand-Held Dump Style Control Gun with Alternative Nozzle Holder 9/16"MP x 1/4" NPT	9/16"



Gun Block Safety Decal
Part # 60-020-014D



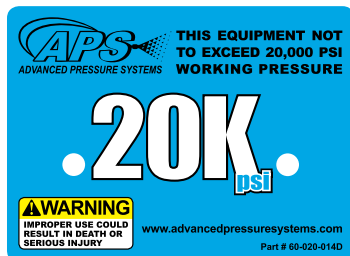
ITEM	QTY	PART NUMBER	DESCRIPTION
1	1	60-010-001	Gun Handle
2	1	60-020-005	"Handi Change" Cartridge Nut 20K
3	1	60-020-010	20K Cartridge Assembly
4	1	60-010-009	Shoulder Stock Tube
5	2	60-010-021	Trigger Pivot Pin
6	1	60-020-012	Inlet Tube Clamp
7	1	10-100-002	Nylon Lock Nut
8	1	21-002-003	Gland Nut 5625
9	1	21-022-048	MP Nipple 48" Long
10	3	21-005-003	Anti-Vibe Assy 5625
11	1	60-020-007	Gun Inlet Tube 20K
12	1	60-010-003	Shoulder Stock
13	1	60-020-014	Gun Block 20K
14	4	10-001-100	SHCS 1"

ITEM	QTY	PART NUMBER	DESCRIPTION
15	1	10-010-001	Plain 3/8" SS washer
18	1	10-017-250	Clamp Bolt SS 5/16"-18,x 2-1/2" long
19	1	10-010-002	5/16" Flat Washer
20	1	10-100-003	Nylon Lock Nut 5/16"-18
21	1	17-025-000	Nozzle Holder Assembly
22	1	21-012-103	Coupling 9/16"MP (Without Gland Nut & Collar)
23	1	21-003-003	Collar
24	1	60-010-017	Shoulder Stock Cam Stud
25	1	60-010-057	Dump Tube Assembly
26	1	20-028-101	9/16"MP x 1/4" NPT(Alternative Nozzle Holder)
27	1	60-010-061	Trigger & Cam Assembly w/Safety Latch
28	1	60-020-008	9/16" MP/HP QUICK ADJUST FRONT HANDLE ASSEMBLY
29	1	60-020-014D	20K psi Safety Decal - Gun Block

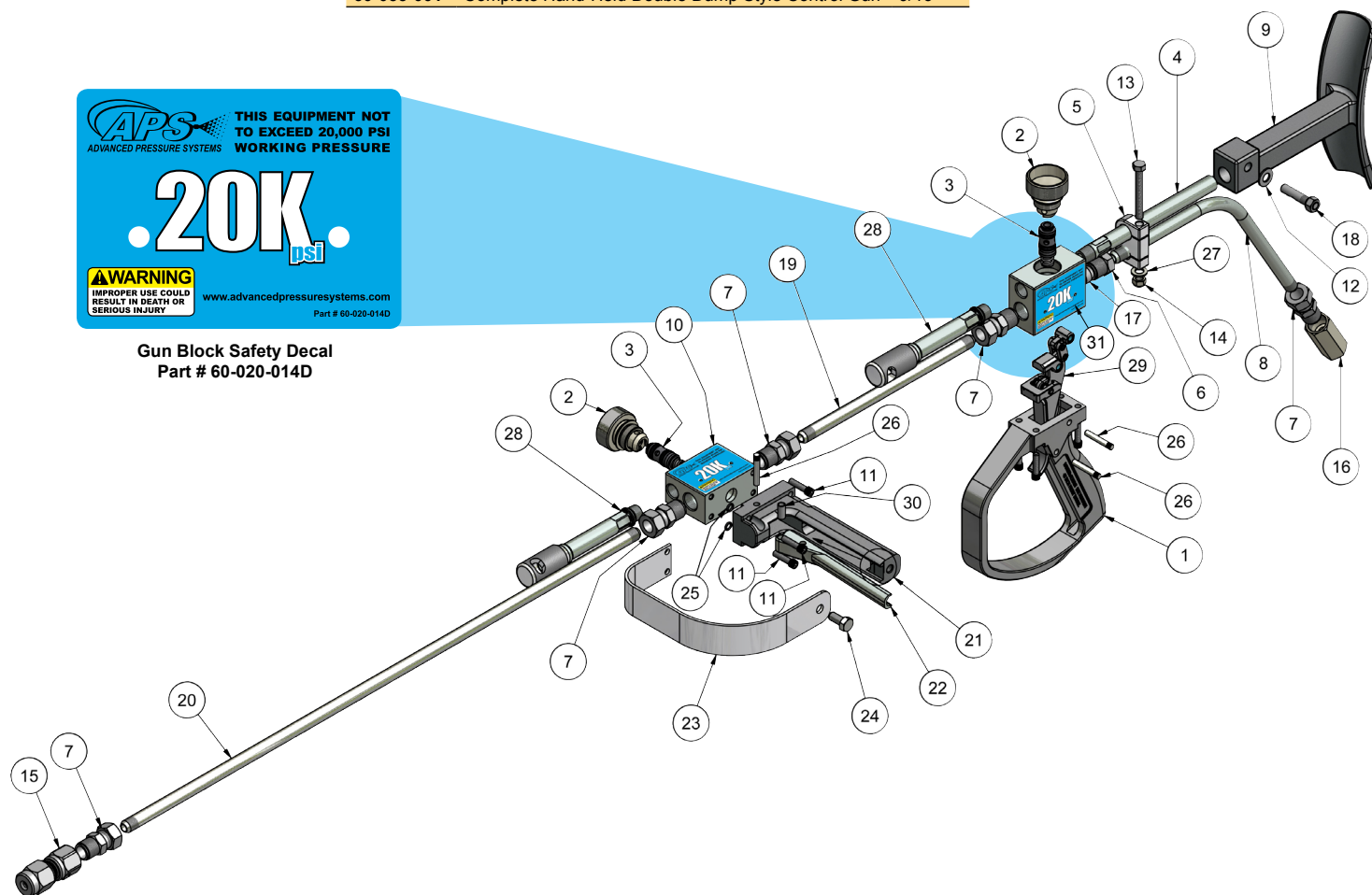
20K Hand-Held Double-Dump Control Guns

- There is an increasing demand for the extra safety of control guns which incorporate dual dump ports. The Advanced Pressure Systems 20K Double Dump Control Guns feature this added security together with the ergonomic advantages and operator comfort of a specially designed front handle.
- This handle is at right angles to the axis of the barrel, which conforms to the natural alignment of the hand and arm of the operator. Other guns simply use two standard handles, which are cumbersome, uncomfortable to use and are heavier.
- Front barrels are 48" long with standard 9/16" MP size.

Part #	Description	Barrel
60-055-001	Complete Hand-Held Double Dump Style Control Gun	9/16"



Gun Block Safety Decal
Part # 60-020-014D



ITEM	QTY	PART #	DESCRIPTION
1	1	60-010-001	Gun Handle
2	2	60-020-005	"Handi Change" Cartridge Nut 20K
3	2	60-020-010	Cartridge Assembly 20K
4	1	60-010-009	Shoulder Stock Tube
5	1	60-020-012	Inlet Tube Clamp
6	1	21-002-003	Collar 9/16" MP
7	5	21-005-003	MP Anti-Vibe Assy.
8	1	60-020-007	Gun Inlet Tube 20K
9	1	60-010-003	Shoulder Stock
10	2	60-020-014	BLOCK, 20K CONTROL GUN (NEW)
11	8	10-001-100	SHCS 1/4"-20 1" Long
12	1	10-010-001	3/8" Plain Washer
13	1	10-017-250	Hex Head 5/16"-18 x 2-1/2" Long
14	1	10-100-003	Nylon Locknut 5/16"-18 SS
15	1	17-025-000	Nozzle Holder Assy,20K 9/16" MP (Drop In)
16	1	21-012-103	Coupler 9/16"MP 20K without Gland Nut & Collar

ITEM	QTY	PART #	DESCRIPTION
17	1	21-003-003	9/16" Gland Nut MP
18	1	60-010-017	Cam Stud for Shouldder Stock
19	1	21-022-010	NIPPLE, 9/16" MP/LH X 10" SS (20K MAWP)
20	1	21-022-036	NIPPLE, 9/16" MP/LH X 36" SS (20K MAWP)
21	1	60-050-002	Double Dump Handle
22	1	60-050-003	Double Dump Trigger
23	1	60-050-005	Double Dump Trigger Guard
24	1	10-016-075	3/8"-16 Bolt, 3/4" long
25	2	30-001-010	O-Ring 2-010
26	3	60-010-021	Trigger Pivot Pin
27	1	10-010-002	Washer. Flat 5/16"
28	2	60-010-057	Dump Tube Assembly
29	1	60-010-061	Trigger & Cam Assy. w/Safety Latch
30	1	60-010-022	Trigger Pin Pivot Bushing
31	4	60-020-014D	20K psi Safety Decal - Gun Block

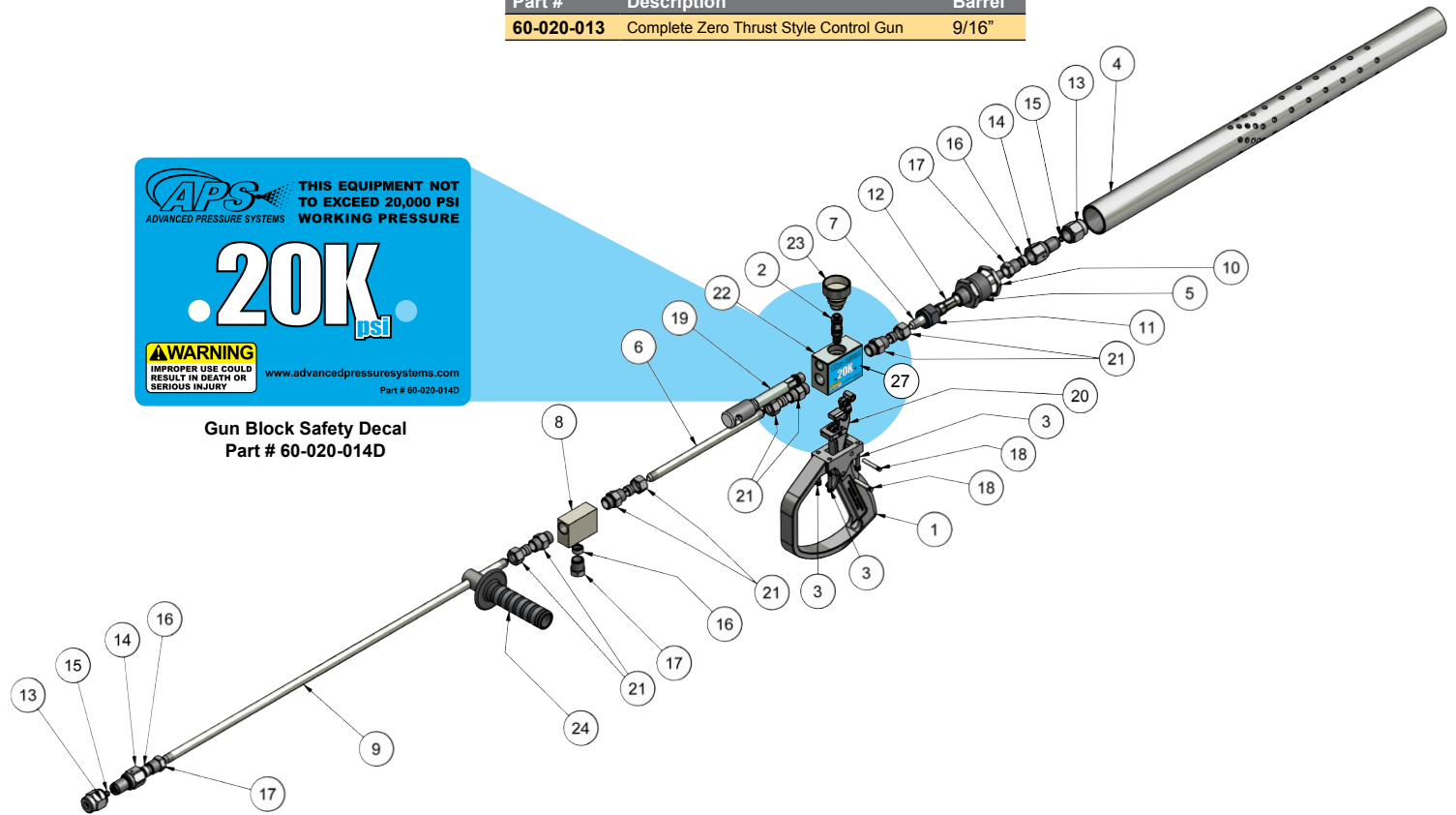
20K Hand-Held Zero-Thrust Control Guns

- These guns are designed primarily for underwater use, where the self cancelling forwards and backward thrusts allow the user to carry out blasting operations without being propelled away from the intended work area.
- They have applications on dry land where a balanced tool is needed, for example in a suspended gondola on the side of a building.
- The quick change rebuild cartridge allows field overhaul in 30 seconds.
- For corrosion resistance, all components are of high grade stainless steel, and the complete assembly weighs just 15.15 lbs (6.89 Kg.).

Part #	Description	Barrel
60-020-013	Complete Zero Thrust Style Control Gun	9/16"



Gun Block Safety Decal
Part # 60-020-014D



ITEM	QTY	PART #	DESCRIPTION
1	1	60-010-001	Gun Handle
2	1	60-020-010	20K Cartridge Assembly
3	4	10-001-100	SHCS 1/4"-20 x 1" Long
4	1	60-010-032	Diffuser for Zero Thrust Gun
5	1	60-020-015	Diffuser Adapte - 20K Zero Thrust Gun
6	1	21-022-010	9/16" MP Nipple 10" Long
7	1	21-022-008	9/16" MP Nipple 8" Long
8	1	21-010-003	9/16" MP Tee (without Gland Nuts & Collars)
9	1	21-022-036	9/16" MP Nipple 36" Long
10	1	60-010-033	Jam Nut - Thrust Diffuser
11	1	20-002-004	Collet Nut
12	1	20-022-010	Collet 9/16"
13	2	17-025-001	Nozzle Holder Nut 20K

ITEM	QTY	PART #	DESCRIPTION
14	2	17-025-002	Nozzle Holder 20K
15	2	30-001-010	O-Ring 2-010
16	3	21-002-003	Collar, 9/16" MP
17	3	21-003-003	Gland Nut, 9/16" MP
18	2	60-010-021	Trigger Pivot Pin
19	1	60-010-057	Dump Tube Assembly
20	1	60-010-061	Trigger and Cam Assembly w/safety latch
21	4	21-005-003	Antivibration collet Assembly
22	1	60-020-013	Gun Block 20K
23	1	60-020-005	"Handi Change" Cartridge Nut 20K
24	1	60-020-008	Quick Adjust Front Handle
25	1	60-010-061	Trigger Assembly
27	2	60-020-014D	20K psi Safety Decal - Gun Block